

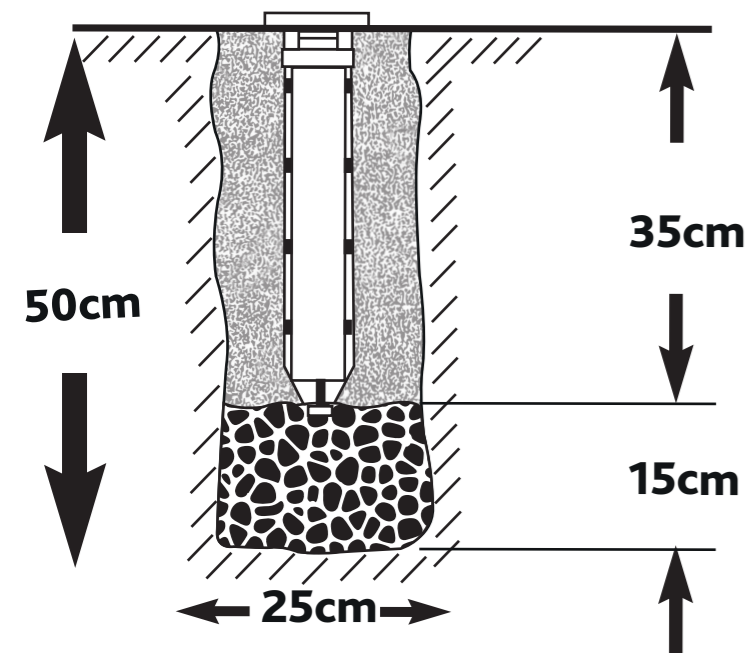
PLEASE READ INSTRUCTIONS FOR USE CAREFULLY AND KEEP FOR REFERENCE

INSTALLATION

CHOOSE A SITE FOR YOUR DRYER

The dryer must be able to rotate freely. Required space is 4.2M.

INSTALLING IN CONCRETE USING THE SOCKET PROVIDED



1. Dig a hole 25cm x 25cm square and 50cm deep.

2. Mix concrete of a fairly dry texture in the proportions of 3 gravel, 2 sand and 1 cement. Prior to placing concrete fill 15cm gravel in the hole, part fill the hole with the mix whilst carefully holding the socket in position. The top of the ground socket should be a maximum of 6mm above ground level.

Note: Take care to keep concrete out of locking recess in the ground socket. The plastic sleeve protects the top of the socket during concrete filling.

3. Replace the dryer in the socket. Hold the dryer and its socket VERTICALLY while filling the rest of the hole with concrete.

Gently remove the dryer ensuring the socket is level. Finish with fine cement.

4. Allow the concrete to dry and harden for a couple of days.

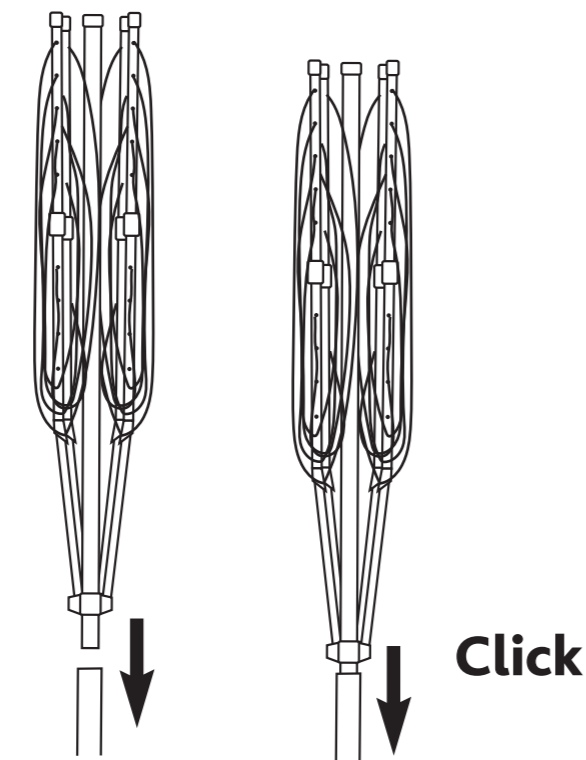
USAGE INSTRUCTIONS

ASSEMBLY

1. Place the head assembly into the main pole until it stops.

2. Raise the head assembly by 10cm and push down to lock it into position. A loud "click" indicates locking, if not repeat.

NOTE: Once head assembly and main standard are engaged, they cannot be separated.

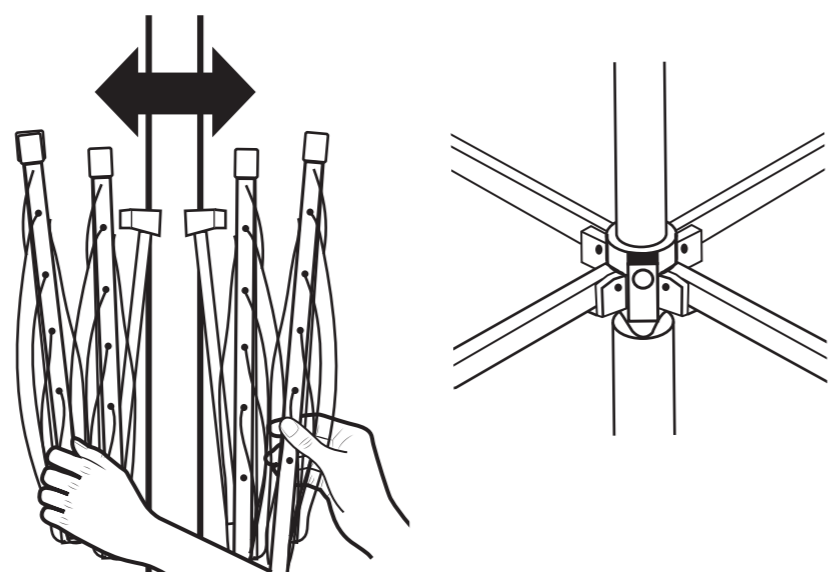


OPENING AND CLOSING

TO OPEN: Release arms from the bracket (Top Cross).

Push the bottom cross upwards until the lock engages. Ensure lines are tangle free.

TO CLOSE: Release the lock by pressing the clip. Place your hands on the arms either side of the bottom cross and pull downwards.



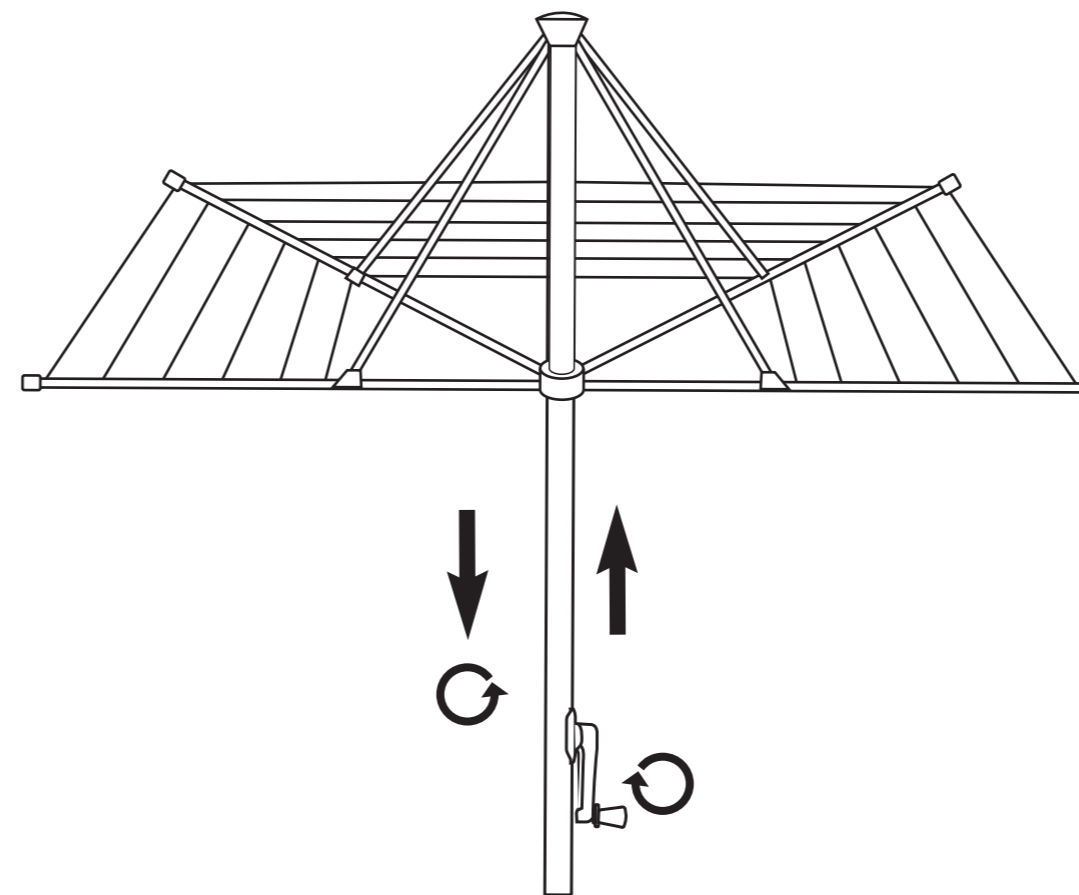
OPERATION TIPS

1. Commence hanging the washing on the inside clothes line and work your way outwards.

2. To disengage the breeze brake, wind up the handle at least 6 full turns. For faster drying, elevate the dryer fully to catch the breeze.

3. End clips can be used to dry delicate items on a hanger.

4. After taking the dryer out of the socket, place the cap into position to protect the socket.



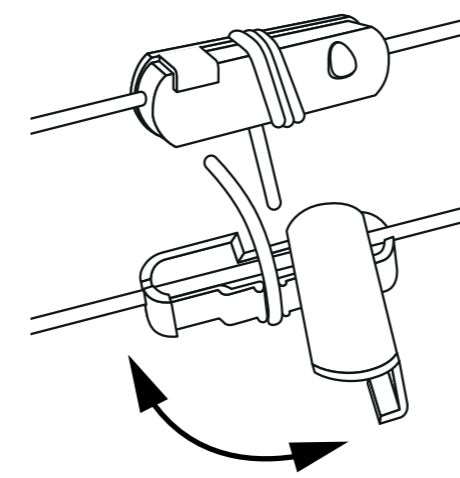
LINE TENSIONING

1. Slide to the left to open.

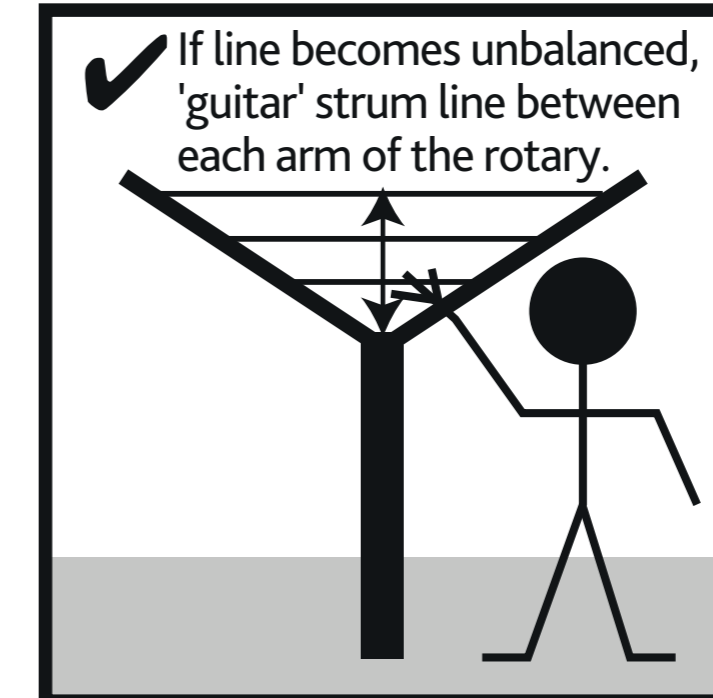
2. Unwrap the line and pull to the right to the required tension.

3. Wrap line back around the device and slide lid to the right to close.

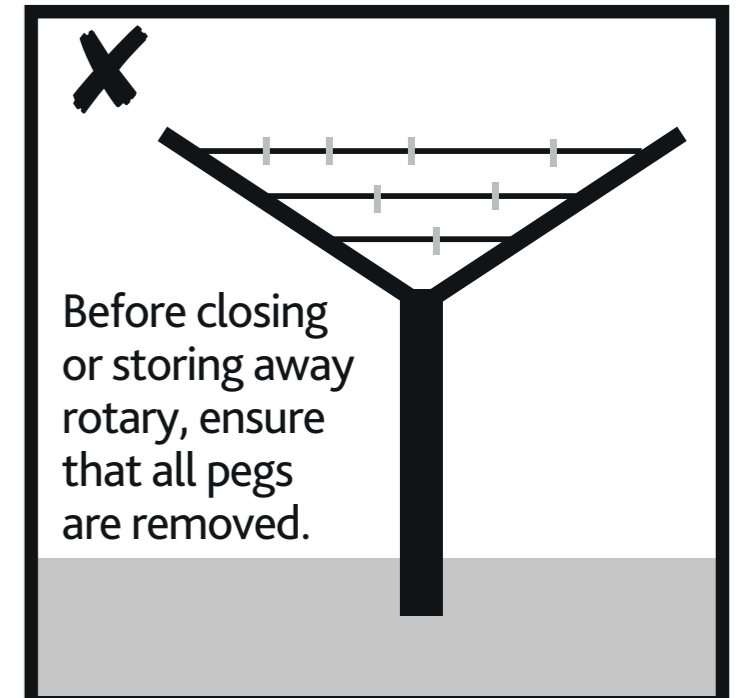
4. Cut off excess line where appropriate.



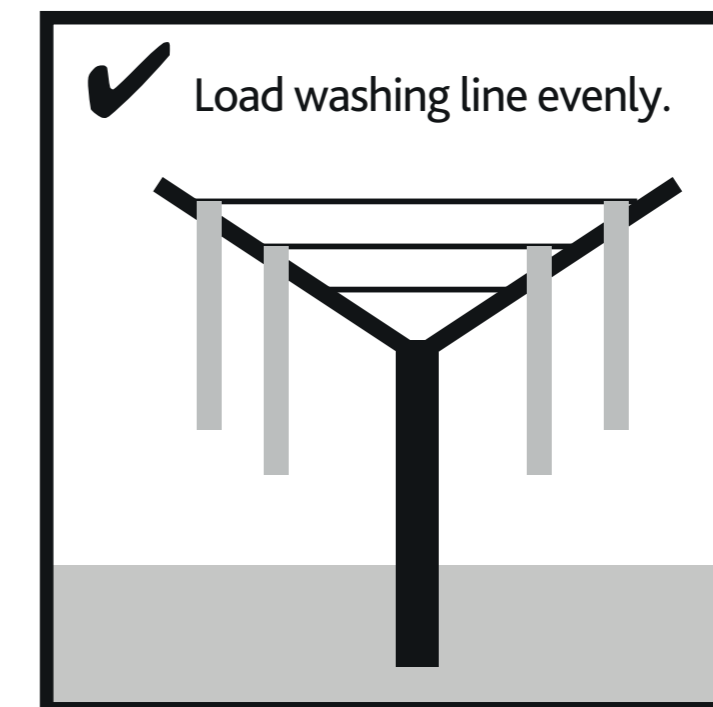
STORAGE AND CARE



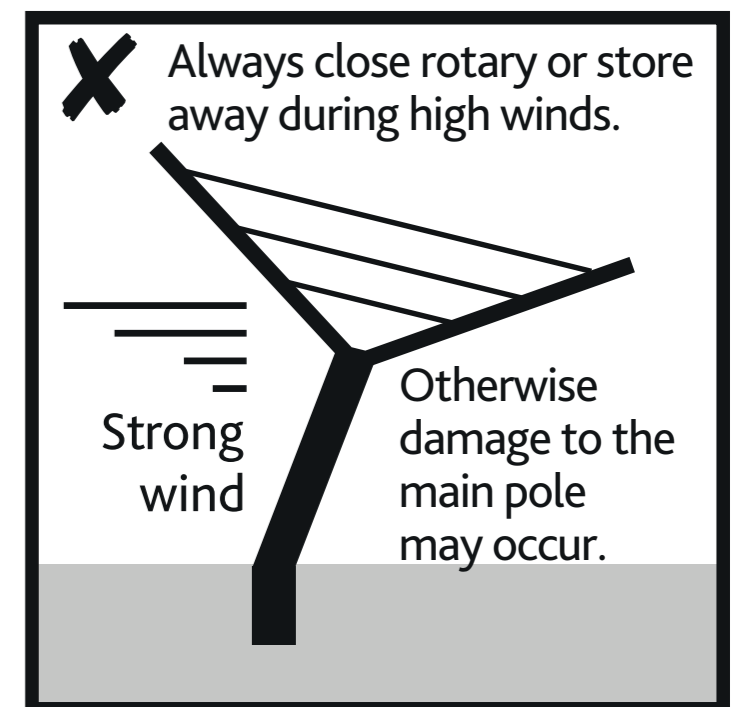
✓ If line becomes unbalanced, 'guitar' strum line between each arm of the rotary.



✗ Before closing or storing away rotary, ensure that all pegs are removed.

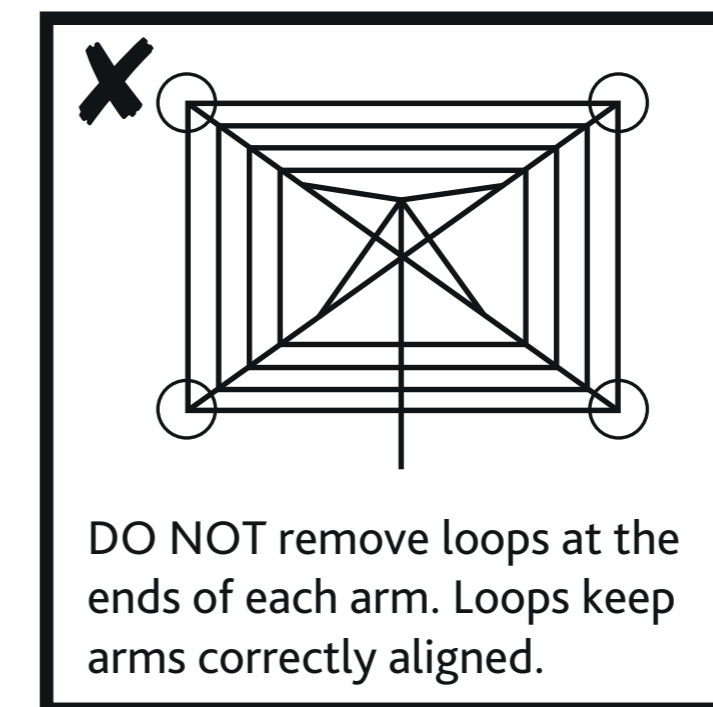


✓ Load washing line evenly.



✗ Always close rotary or store away during high winds.

Strong wind
Otherwise damage to the main pole may occur.



✗ DO NOT remove loops at the ends of each arm. Loops keep arms correctly aligned.

MAINTENANCE TIPS

Apply a small amount of oil to the handle twice a year. Wipe away oil which may remain on the surface.

Do not use aerosol/penetrating tube lubricants.

vileda[®]